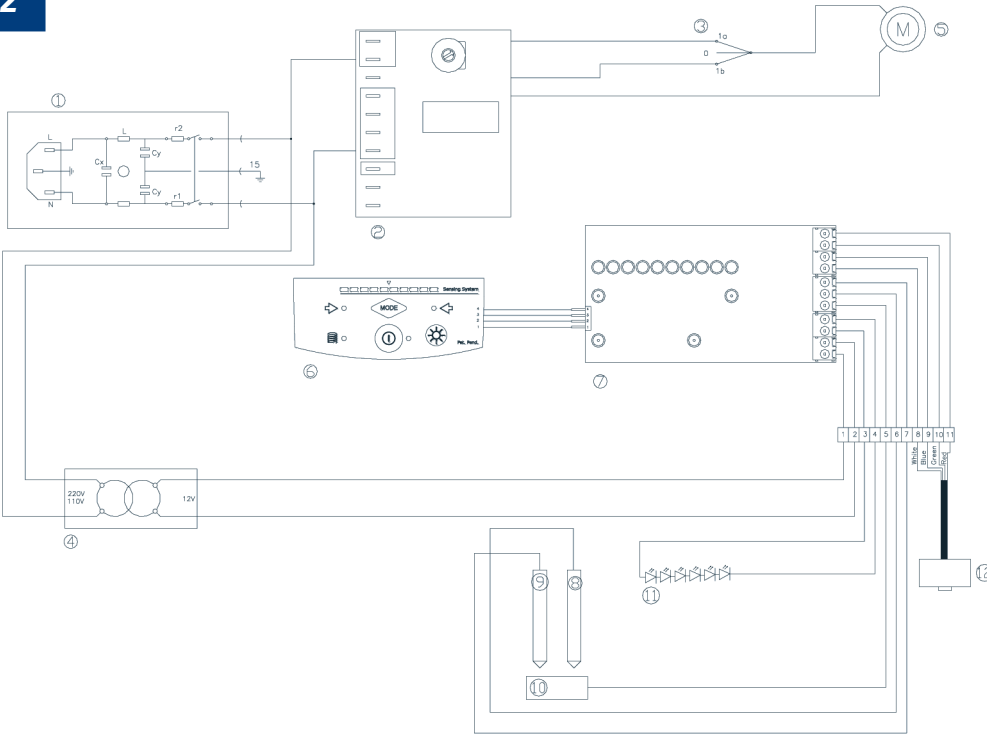
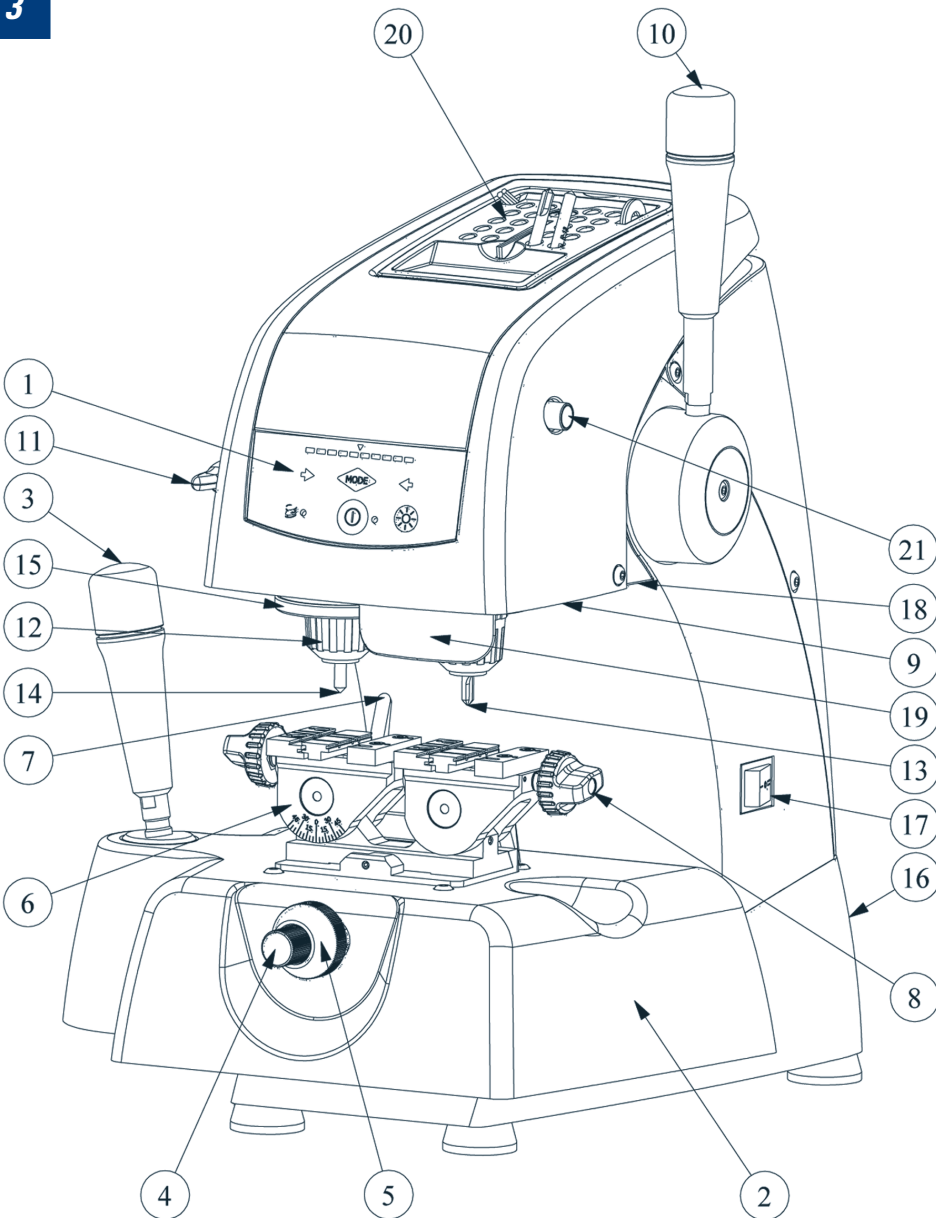


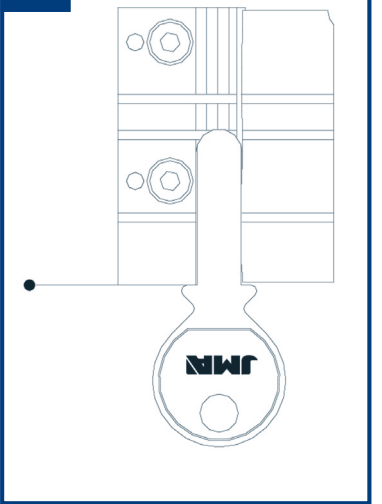
2



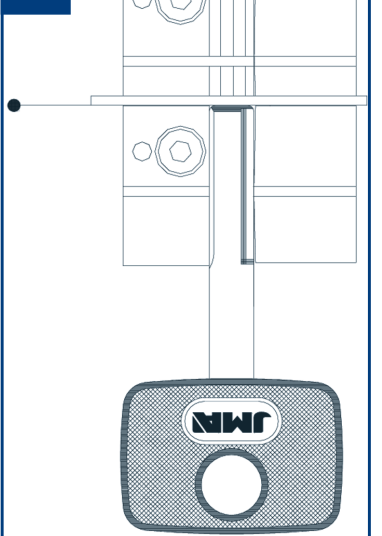
3

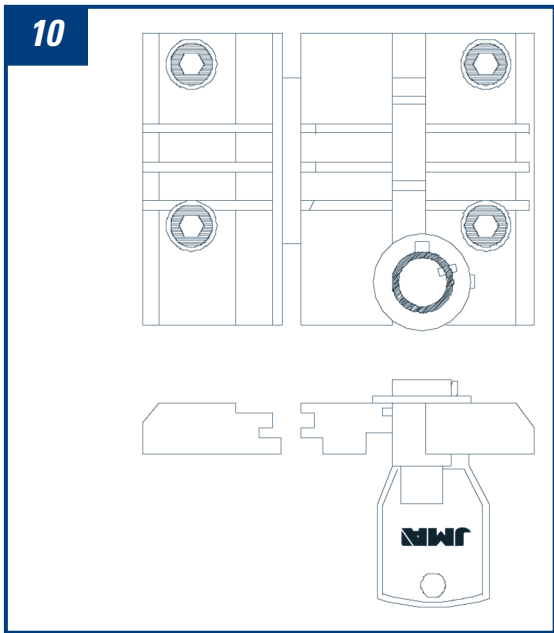
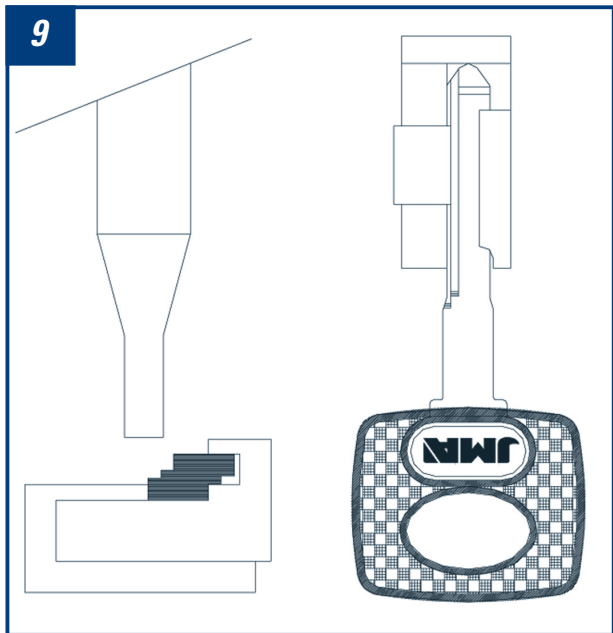
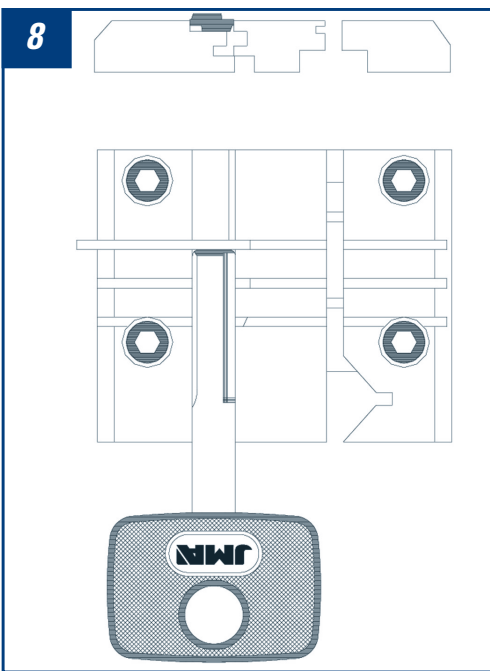
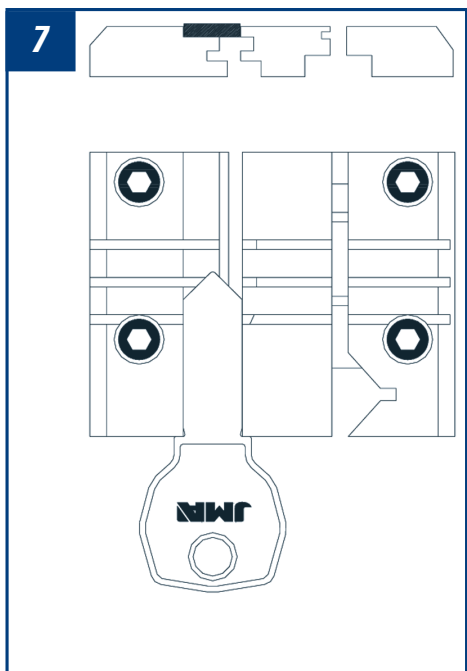
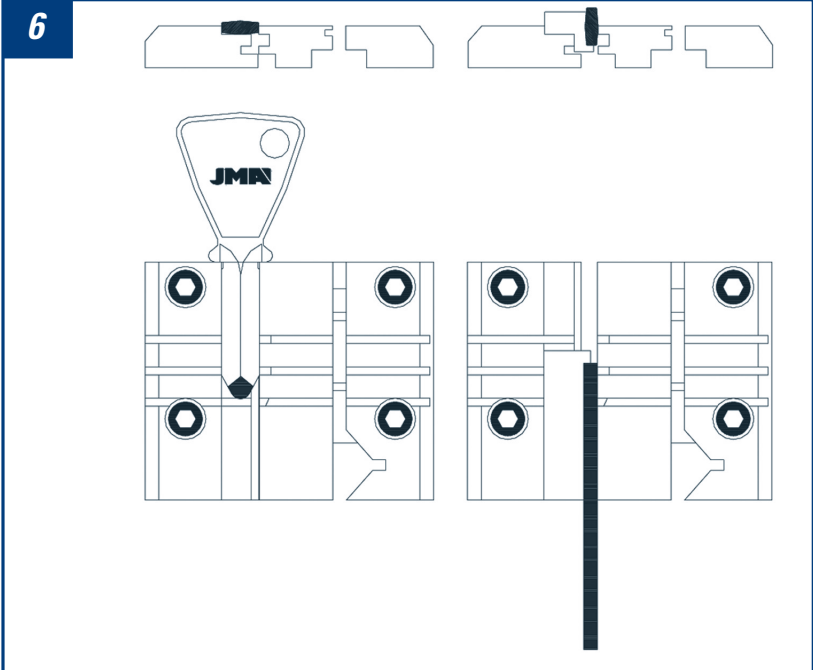
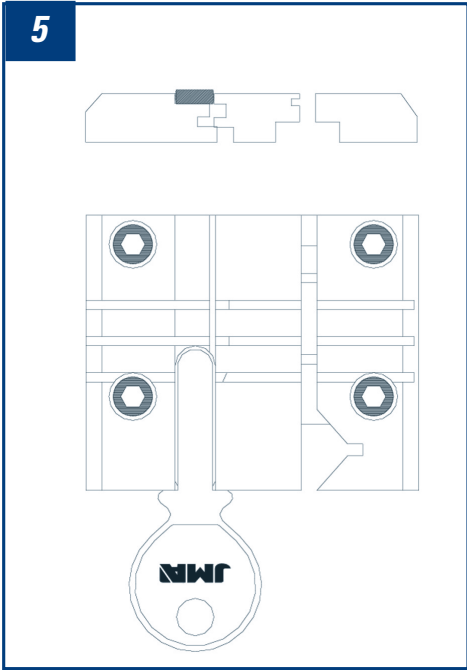


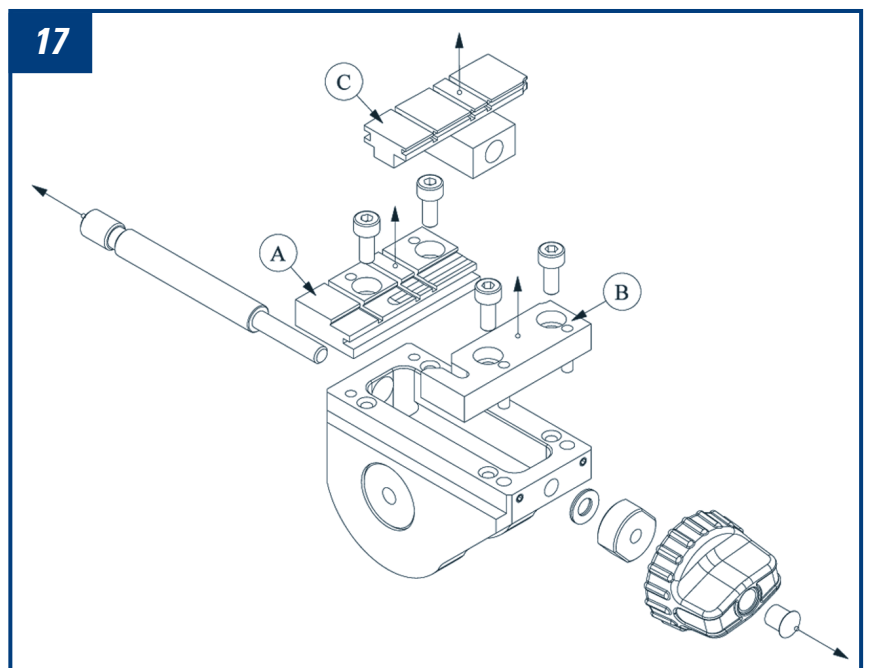
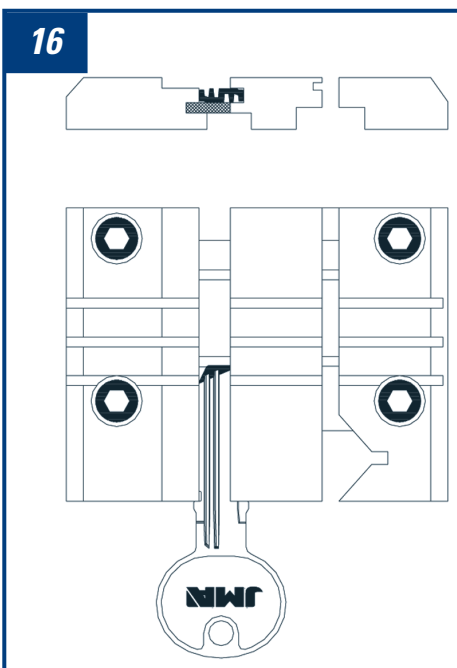
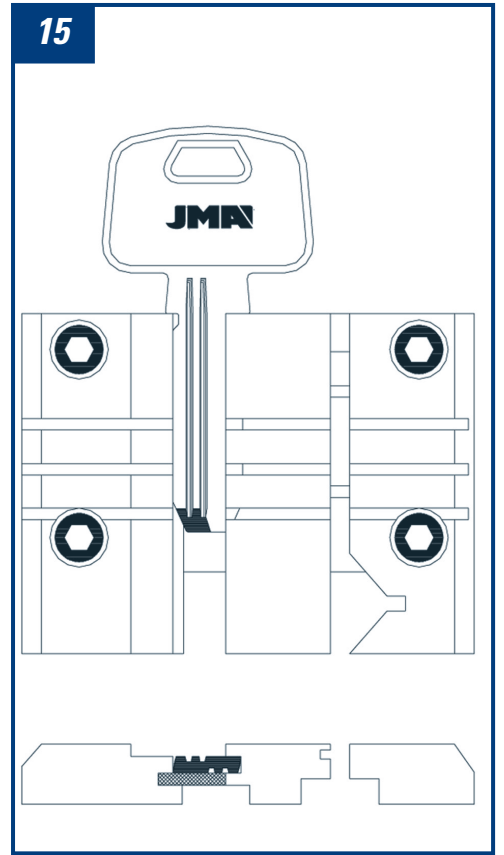
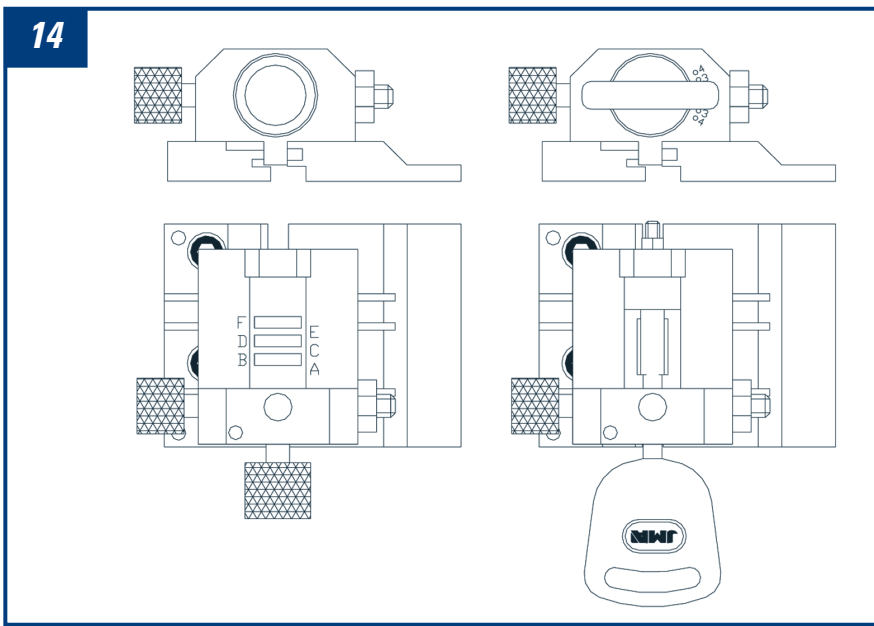
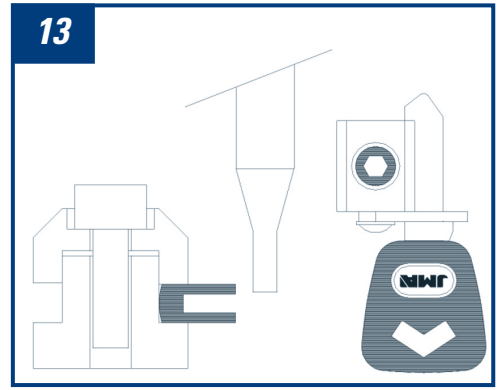
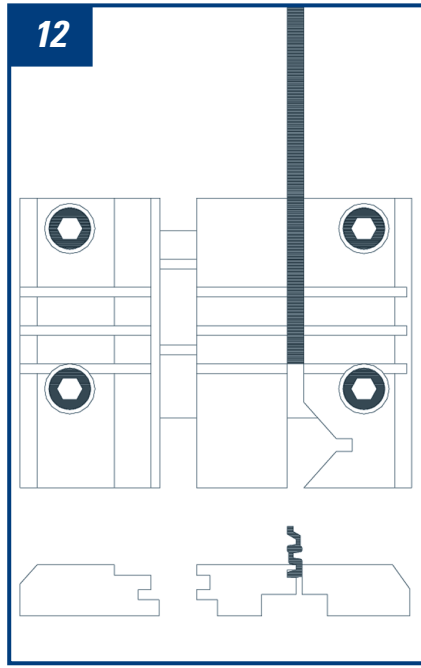
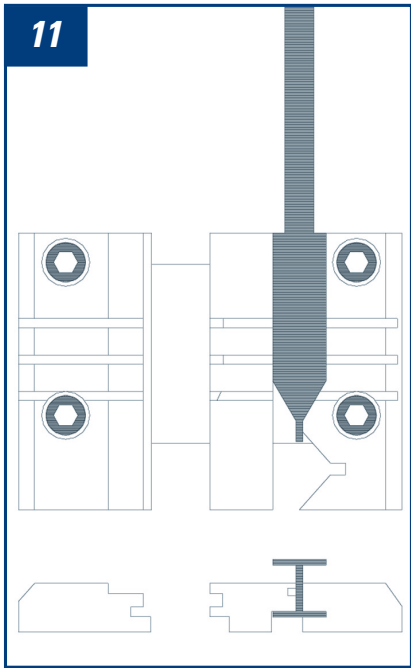
4.A



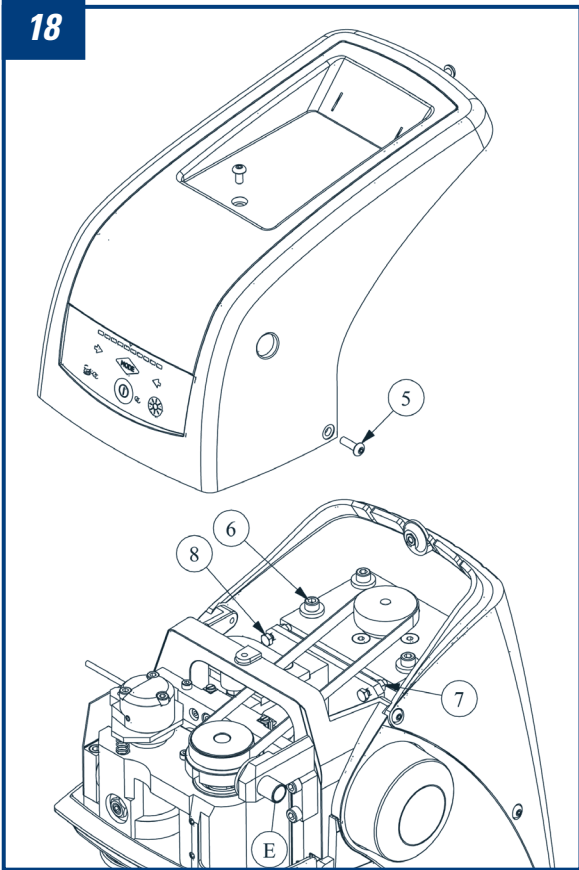
4.B



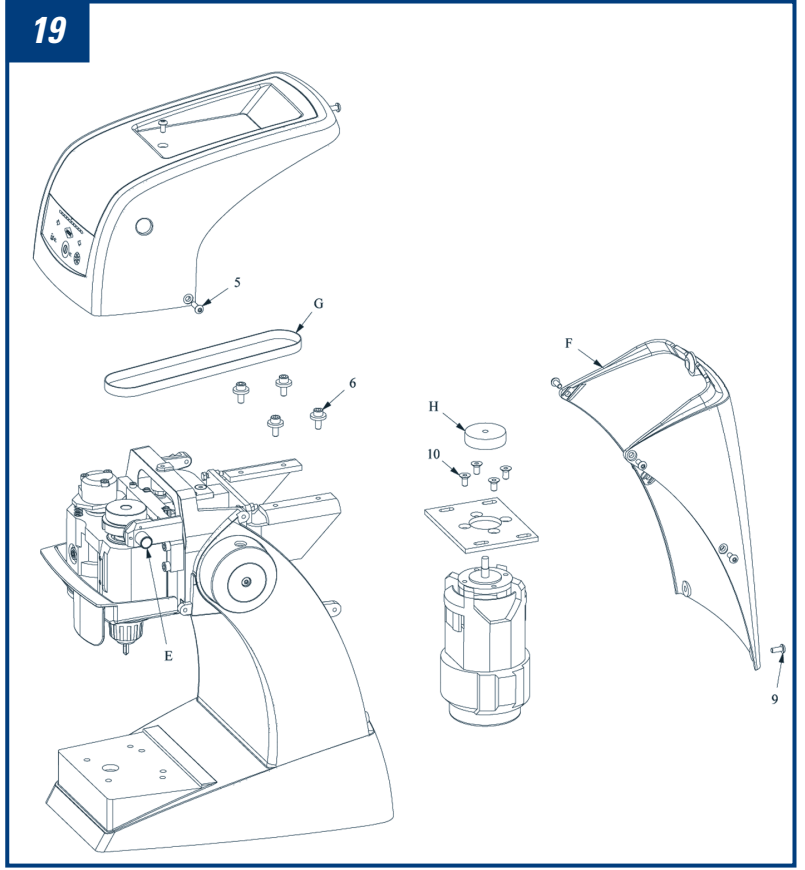




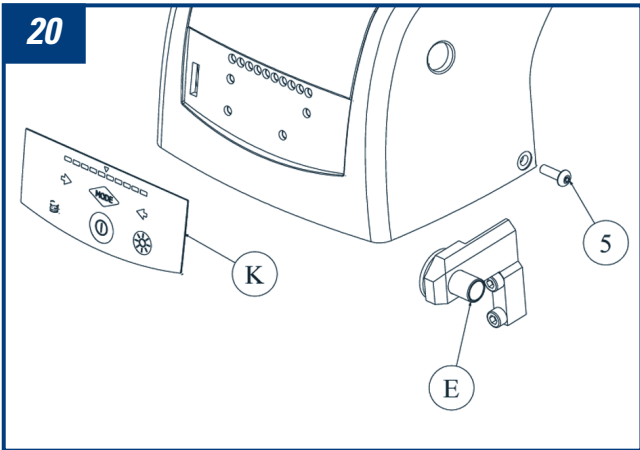
18



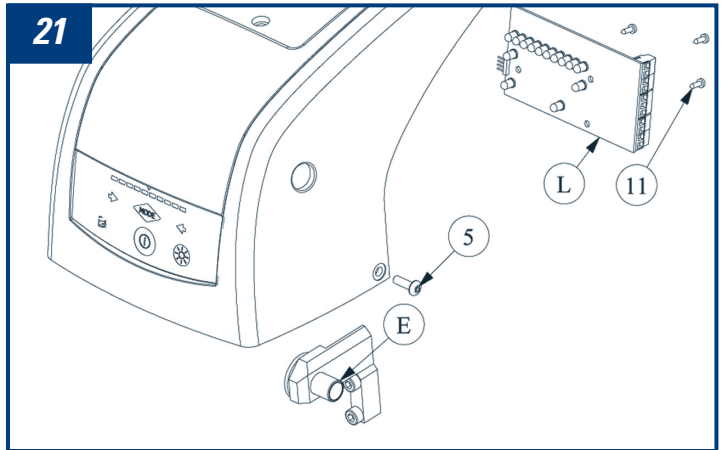
19



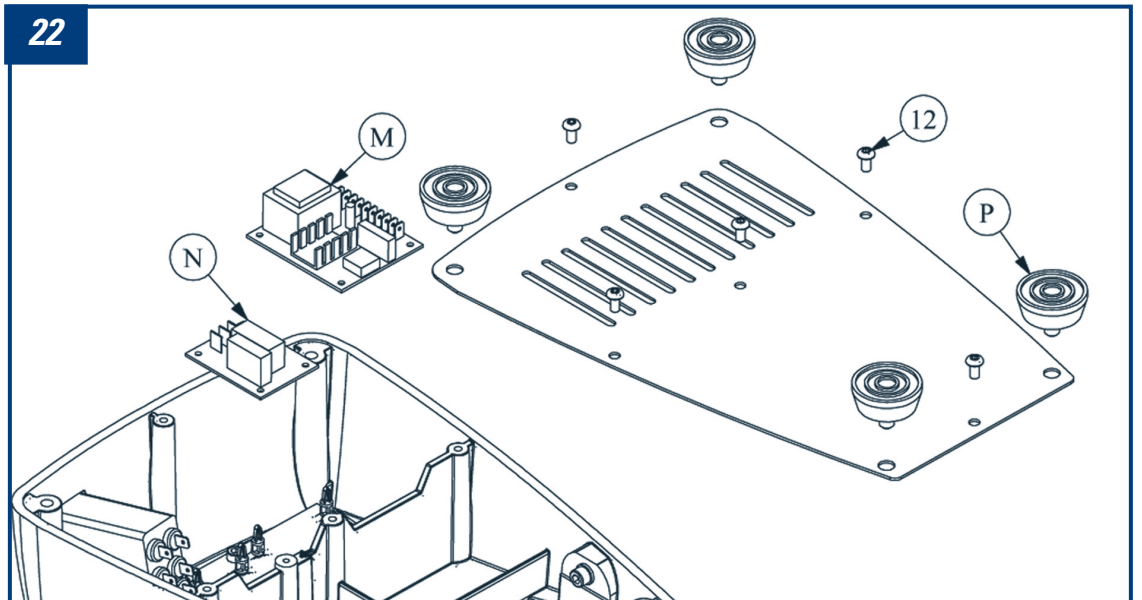
20

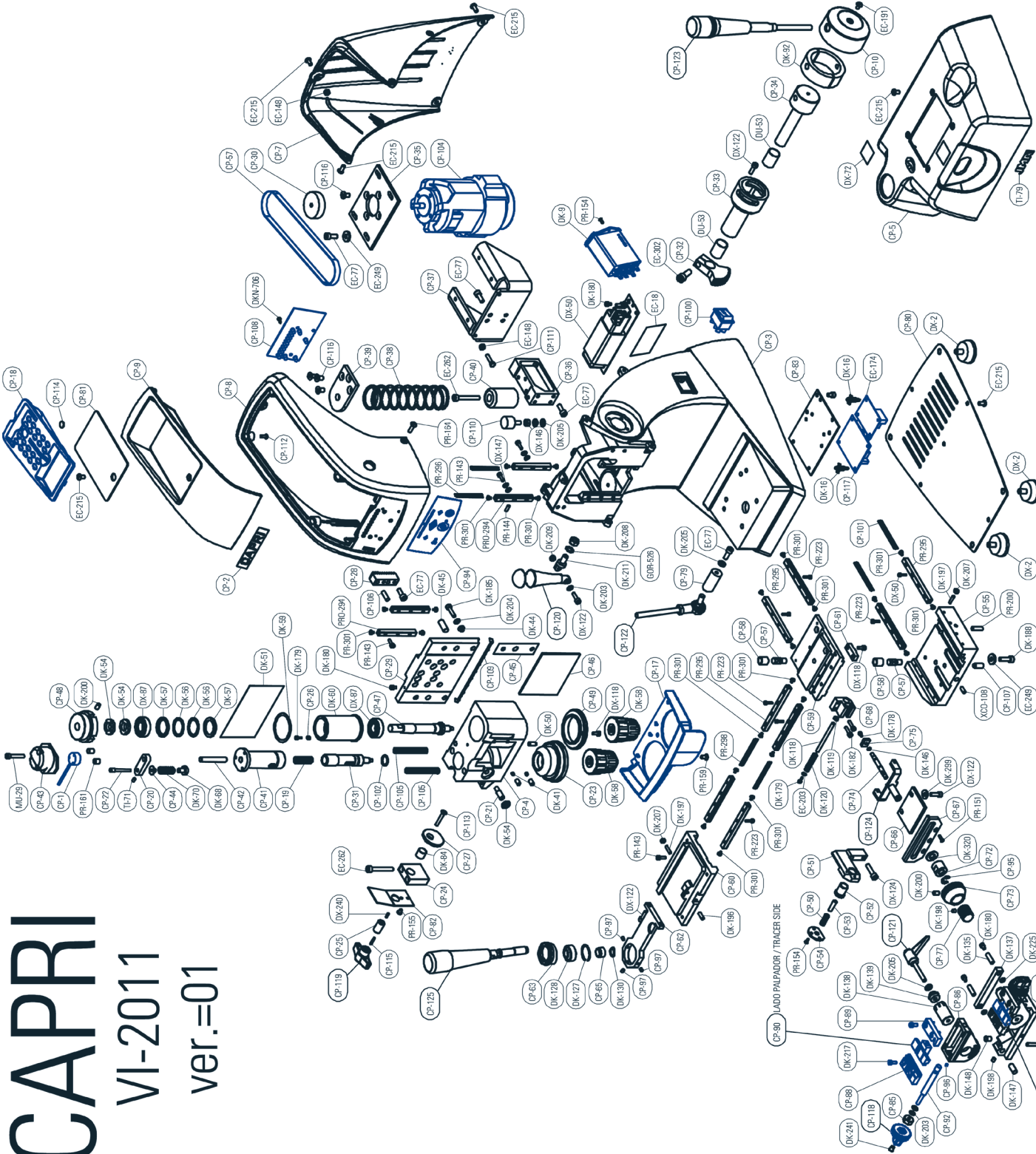
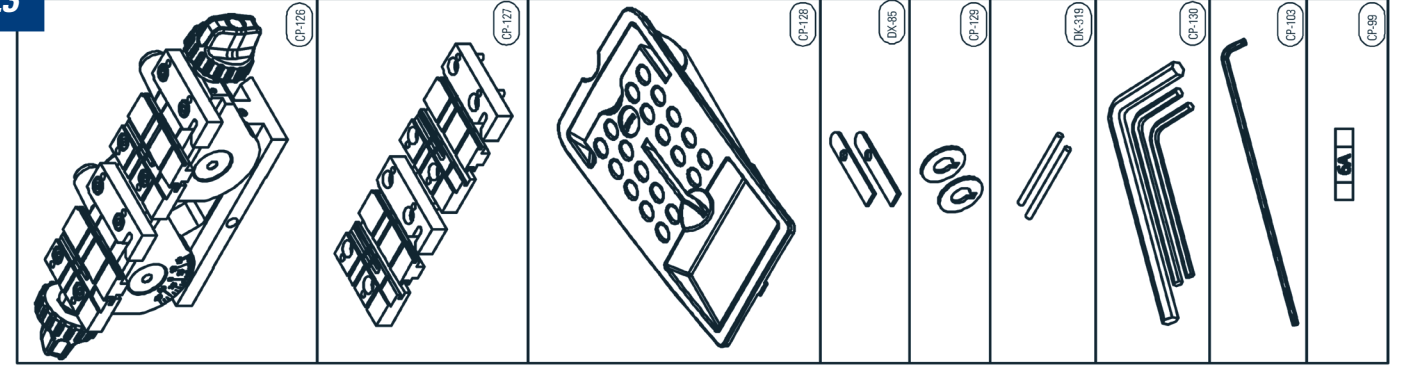


21



22





# CAPRI

## VI-2011

ver.=01

CP-81 J-ADO PRESA / CUTTER SIDE

CP-90 J-ADO PALPAIOR / TRACER SIDE